

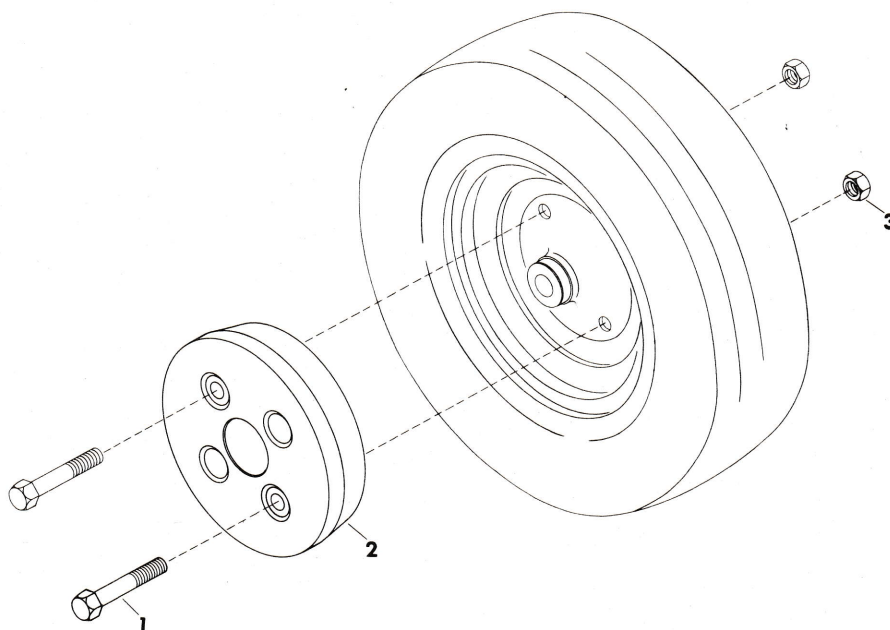


To continue its program of quality and design improvement, the manufacturer reserves the right to change specifications, design or prices without notice and without incurring obligation.

ILLUSTRATED PARTS LIST

FRONT WHEEL WEIGHTS

Model Number 11924E1
Effective Date 2-28-72
Form Number 19519P1



<u>ITEM NO.</u>	<u>PART NO.</u>	<u>DESCRIPTION</u>
1	180191	1/2 x 3 1/4 Hex. Head Bolt
2	11926P1	15 Lb. Front Wheel Weight
3	435507	1/2 Hex Locknut